

Service Manual

Simplified

Variable Speed Cordless
Sealing Gun

EY3652

Please file and use this manual together with the service manual for Model No. EY3650, Order No. MEW/PTD 9111-3650.

SPECIFICATIONS

SEALING GUN

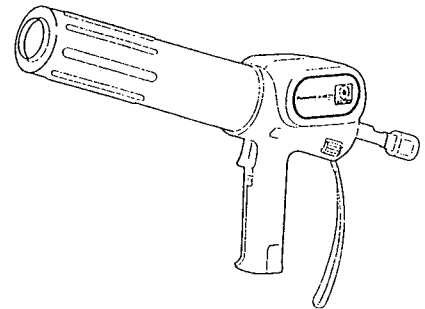
Motor voltage : 2.4V DC
Expulsion pressure : 1,500N (150kgf)
Overall length : 410mm (16-9/64")
Mass (Weight) : 1.30kg (2.91bs.)

BATTERY PACK

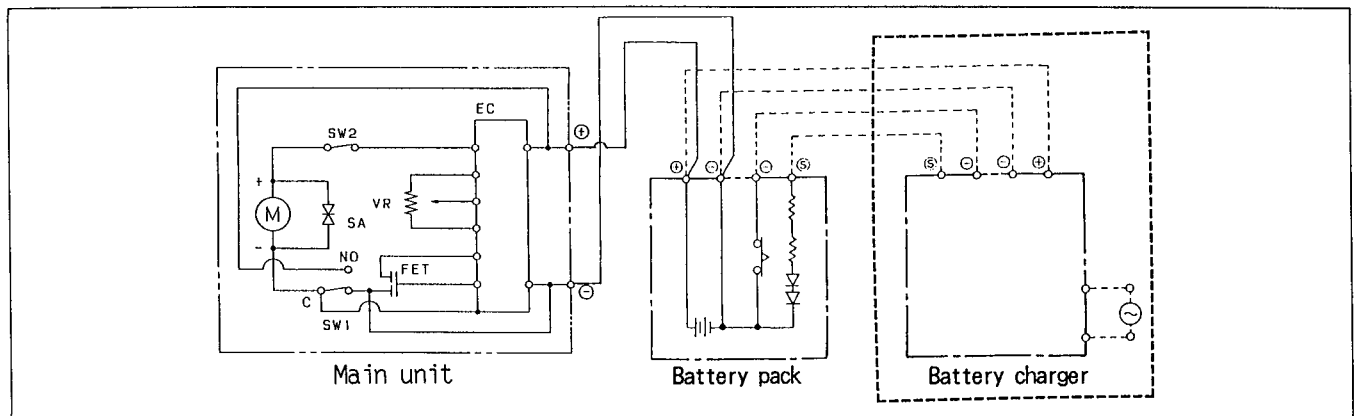
Storage battery : Ni-Cd battery
Battery voltage : 2.4V DC (1.2V × 2 cells)

<Standard equipment>

Attachment
Battery pack



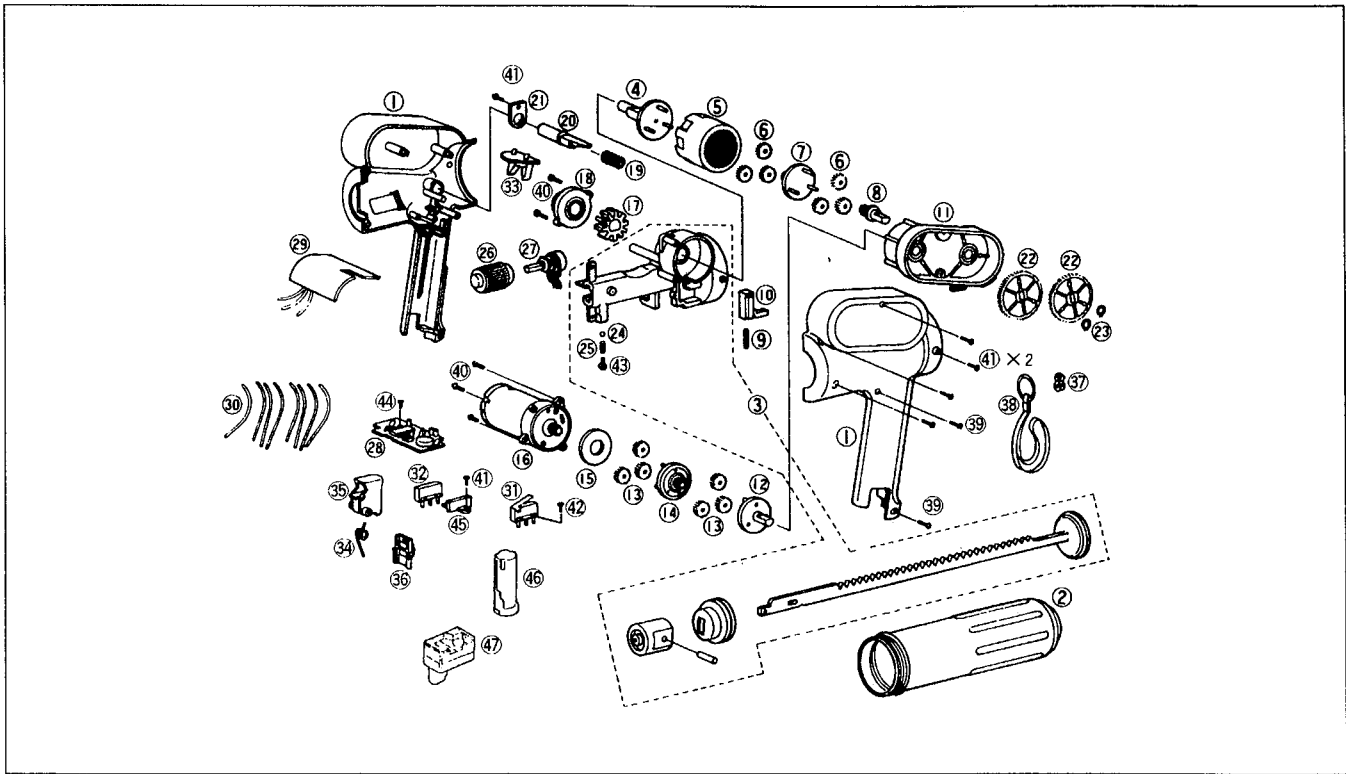
SCHEMATIC DIAGRAM



⚠ WARNING

This service literature is designed for experienced repair technicians only and is not designed for use by the general public. It does not contain warnings or cautions to advise non-technical individuals of potential dangers in attempting to service a product. Products powered by electricity should be serviced or repaired only by experienced professional technicians. Any attempt to service or repair the product or products dealt with in this service information by anyone else could result in serious injury or death.

EXPLODED VIEW



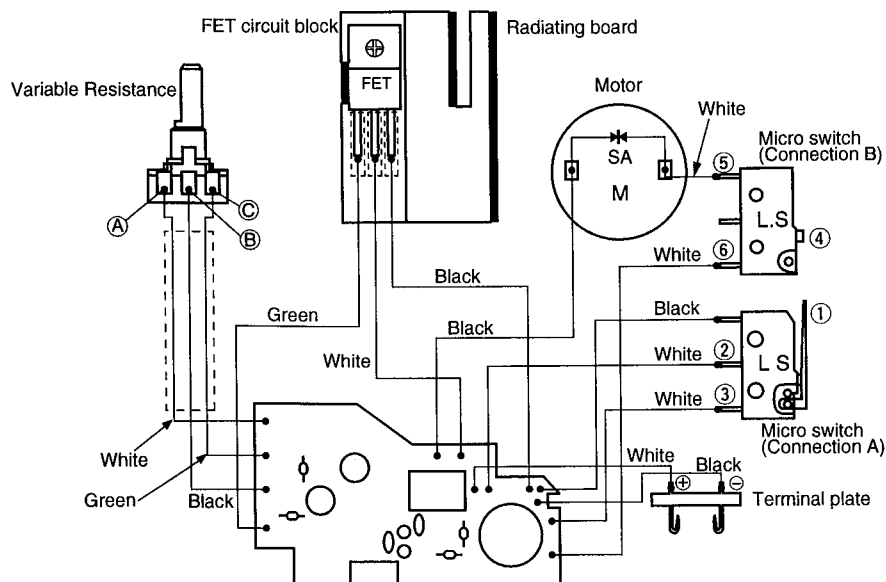
REPLACEMENT PARTS LIST

Note : *A ... commercial available *B ... only available as set *C ... available individually

Ref No.	Parts No.	Parts Name & Descriptions	Per set	Remarks
1	WEY3652K3078	HOUSING AB SET	1	
2	WEY3650H3717	CARTRIDGE COVER	1	
3	WEY3650B1067	DRIVING BLOCK	1	
4	WEY3650B1127	DRIVING SHAFT A	1	
5	WEY3650B1427	INTERNAL GEAR	1	
6	WEY3650B1437	COUNTERGEAR SET	6	*B
7	WEY580S1377	TRANSFERGEAR A	1	
8	WEY580S1527	DRIVING SHAFT B	1	
9	WEY3650B0917	COIL SPRING A	1	
10	WEY3650B1967	CLUTCH KEY	1	
11	WEY3650B1207	DRIVING HOLDER	1	
12	WEY580S0537	DRIVING SHAFT C	1	
13	WEY3650B1457	COUNTERGEAR A SET	6	*B
14	WEY580S1397	TRANSFERGEAR B	1	
15	WEY580S0847	THRUST PLATE	1	
16	WEY3650B1007	MOTOR	1	
17	WEY3650B1447	PINION GEAR	1	
18	WEY3650B0587	PINION COVER	1	
19	WEY3650B0177	COIL SPRING B	1	
20	WEY3650H3567	RELEASE BUTTON	1	
21	WEY3650B0207	CROSSARM BRACE FOR SPRING	1	
22	WEY580C1277	SPUR GEAR	2	*C
23	WEY580S0417	LOCK RING	2	*C
24	WEY3650B6967	STEEL BALL	1	

Ref No.	Parts No.	Parts Name & Descriptions	Per set	Remarks
25	WEY3650B0197	COIL SPRING C	1	
26	WEY3650H3287	SPEED CONTROL KNOB	1	
27	WEY3650B2547	VARIABLE RESISTANCE	1	
28	WEY3652L2128	MODULE	1	
29	WEY3652L2108	FET CIRCUIT BLOCK	1	
30	WEY3652L2948	LEAD WIRE SET	8	*B
31	WEY3652L2008	MICRO SWITCH A	1	
32	WEY3652L2018	MICRO SWITCH B	1	
33	WEY3650B2157	TERMINAL PLATE	1	
34	WEY3650B0187	SWITCH SPRING	1	
35	WEY3650J3207	SWITCH HANDLE	1	
36	WEY3650H3237	LOCK HANDLE	1	
37	WEY505B0287	HAND STRAP RING	1	
38	WEY6481K0277	HAND STRAP	1	
39	WEY508B9617	TAPPING SCREW (K3-20)	7	*C
40	WEY563B9217	TAPPING SCREW (K3-16)	5	*C
41	WEY3652K9378	TAPPING SCREW (K3.5-8)	4	*C
42	WEY3652K9318	TAPPING SCREW (K2.3-12)	1	
43	WEY3652K6408	SCREW (K6-6)	1	
44	WEY3652K9478	TAPPING SCREW (K3-6)	1	
45	WEY3650B0577	SWITCH FRAME	1	
46	EY9021	BATTERY PACK	1	*A
47	EY0890	ATTACHMENT	1	*A
-	WEY3652K8008	INDIVIDUAL BOX	1	
-	WEY3652K8108	OPERATING INSTRUCTIONS	1	
-	WEY6808K8238	SAFETY INSTRUCTIONS	1	

WIRING CONNECTION DIAGRAM



* The color of the lead wires may vary.